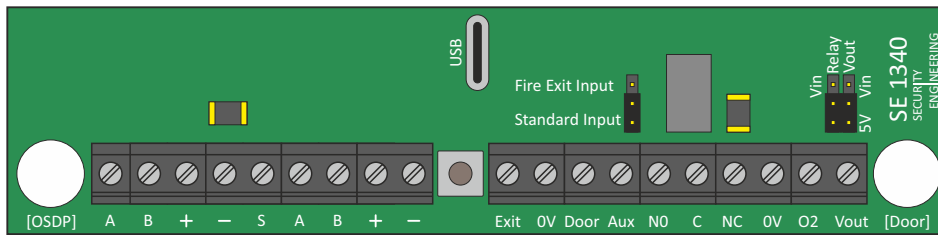


OSDP™ I/O Single Door
SE 1340



Terminals:

- A OSDP Bus Data A
- B OSDP Bus Data B
- + Power input (Vin = 9 - 30V)
- Power GND
- S Shield terminal
- A OSDP Bus Card Reader Data A
- B OSDP Bus Card Reader Data B
- + Reader Power Output (Vin, Fuse 500 mA)
- Power GND

Exit Input for Exit Push Button / Request to Exit

0V Signal GND

Door Input for Door Status Monitor

Aux Input for Lock Status Monitor (Standard Input)

Input for Fire Exit Button (Fire Exit)

Input for Optical Reader Rs232 (Jumper removed)

NC Output relay - Normally Closed

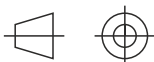
C Output Relay - Common (Wet contact when Relay = Vin, Fused 500 mA)

NO Output relay - Normally Open

0V Power GND

O2 Open collector output (100 mA)

Vout Power output (Vin or 5V)



Technical drawings
according to DIN
specifications

SECURITY
ENGINEERING

Tel.: +45 87 30 04 45
www.securityengineering.dk

Design : SE 1340 - OSDP™ I/O Single Door

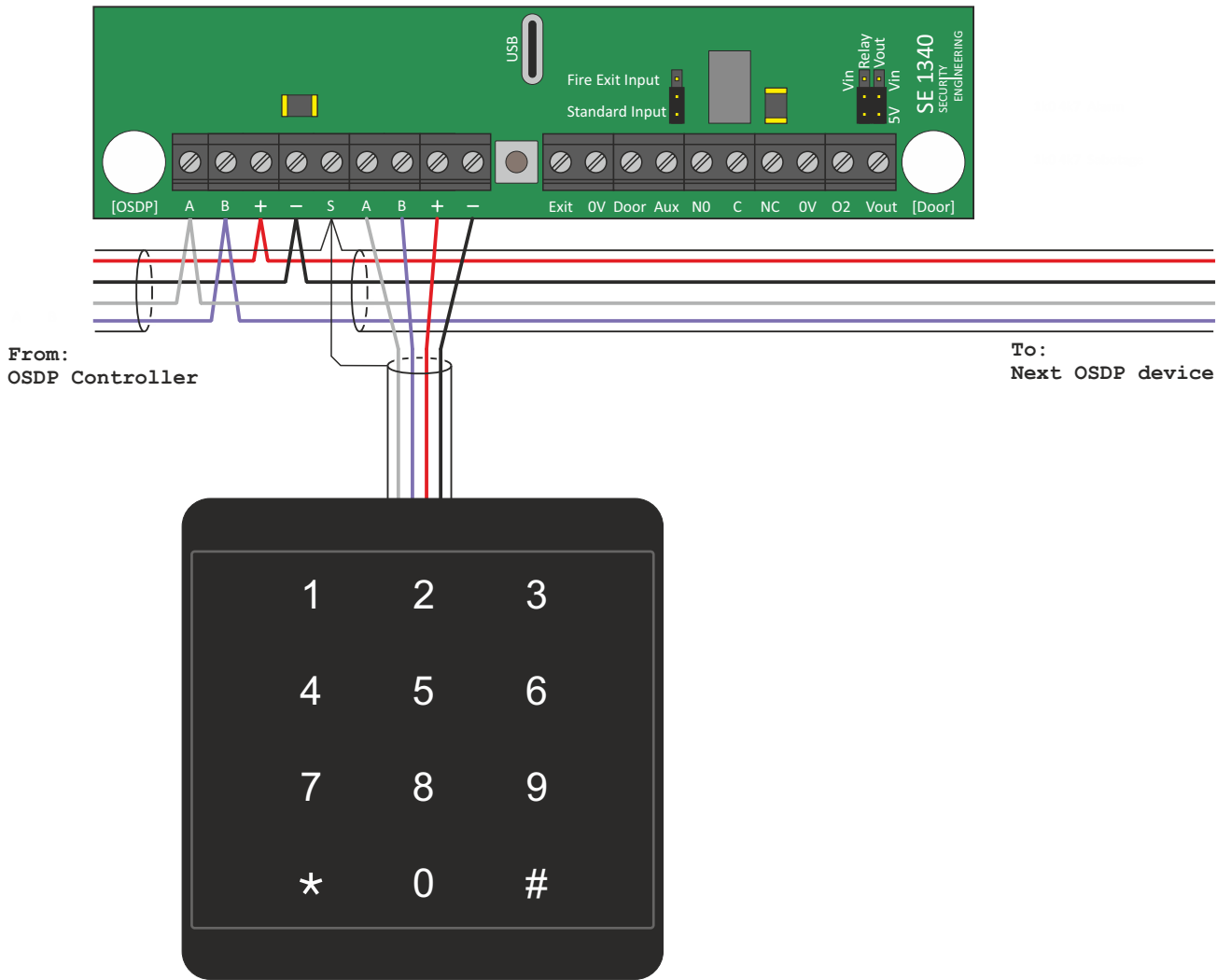
Subject : Connections


Scale :

Dato : 2022-12-22

Rev.: A

OSDP™ I/O Single Door
SE 1340

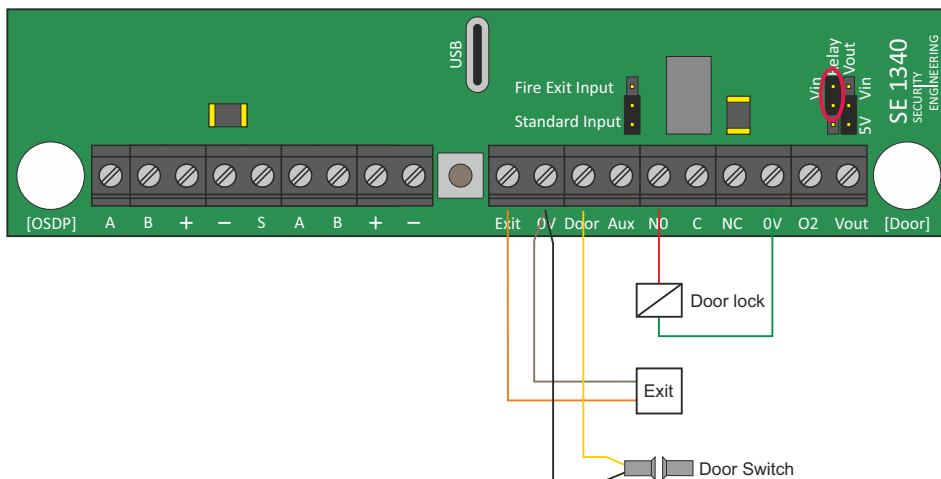



 Technical drawings
 according to DIN
 specifications

SECURITY ENGINEERING		Tel.: +45 87 30 04 45 www.securityengineering.dk	
Design : SE 1340 - OSDP™ I/O Single Door			
Subject : OSDP Bus Connections			
Scale :			
Dato : 2022-12-22		Rev.: A	

OSDP™ I/O Single Door
SE 1340

Vin connected to
relay terminal C.

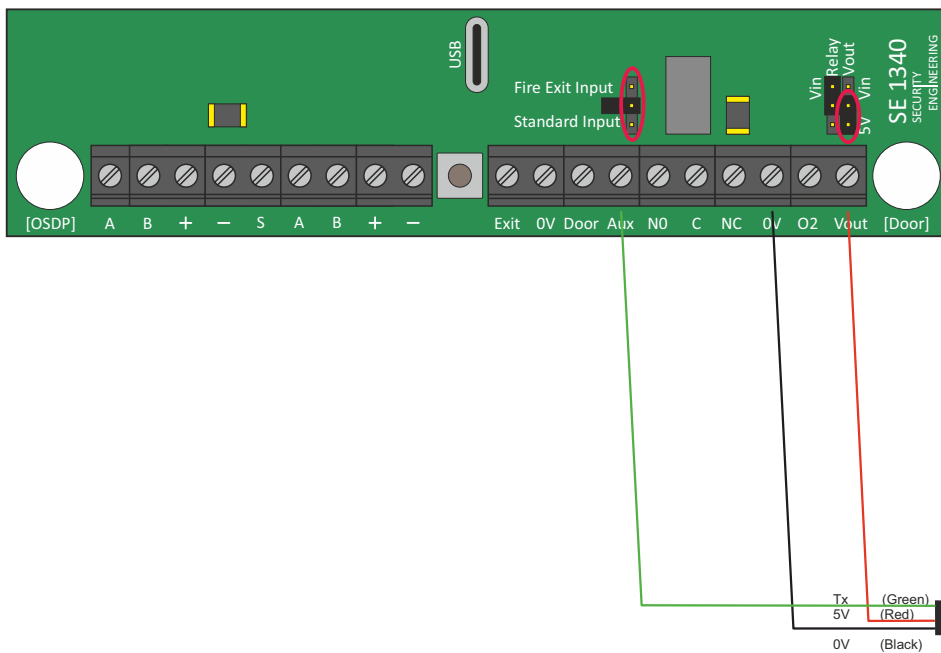


OSDP™ I/O Single Door
SE 1340

Jumper removed.

Vout set to 5V.

Card Reader
Optical with RS232



Technical drawings
according to DIN
specifications

SECURITY
ENGINEERING

Tel.: +45 87 30 04 45
www.securityengineering.dk

Design : SE 1340 - OSDP™ I/O Single Door

Subject : Door equipment Connections

Scale :

Dato : 2023-02-27

Rev.: A